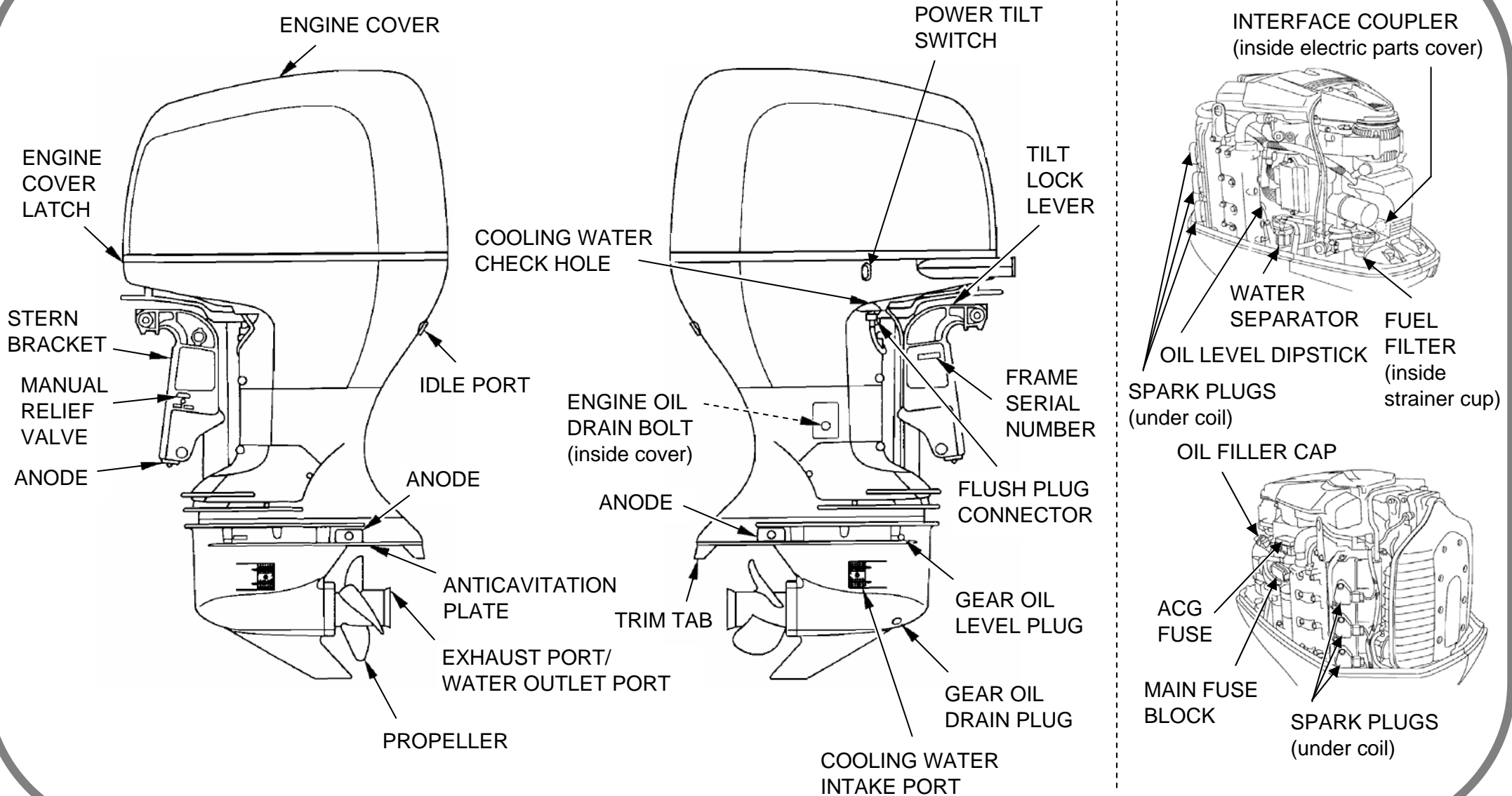


BF175A · 200A · 225A Component Identification



* Illustrations are based on BF225A X type